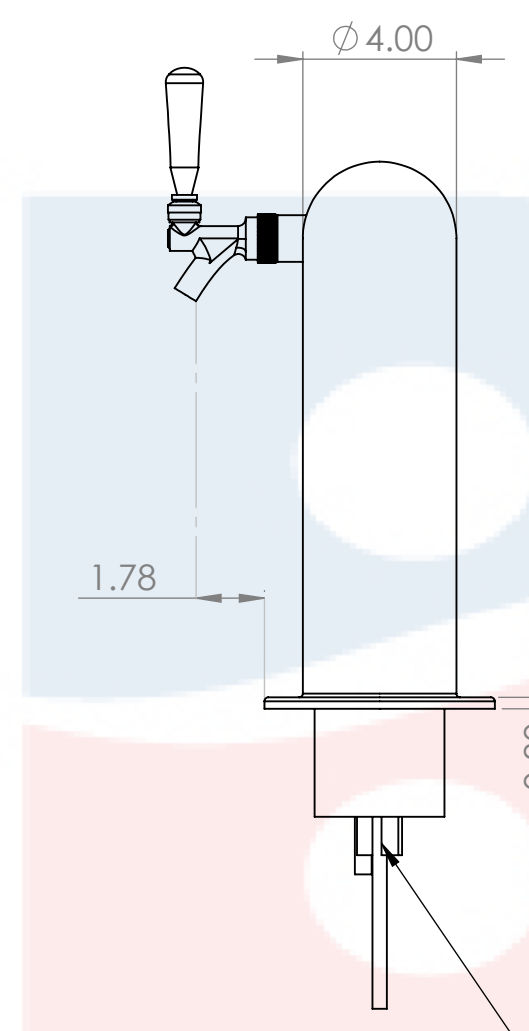
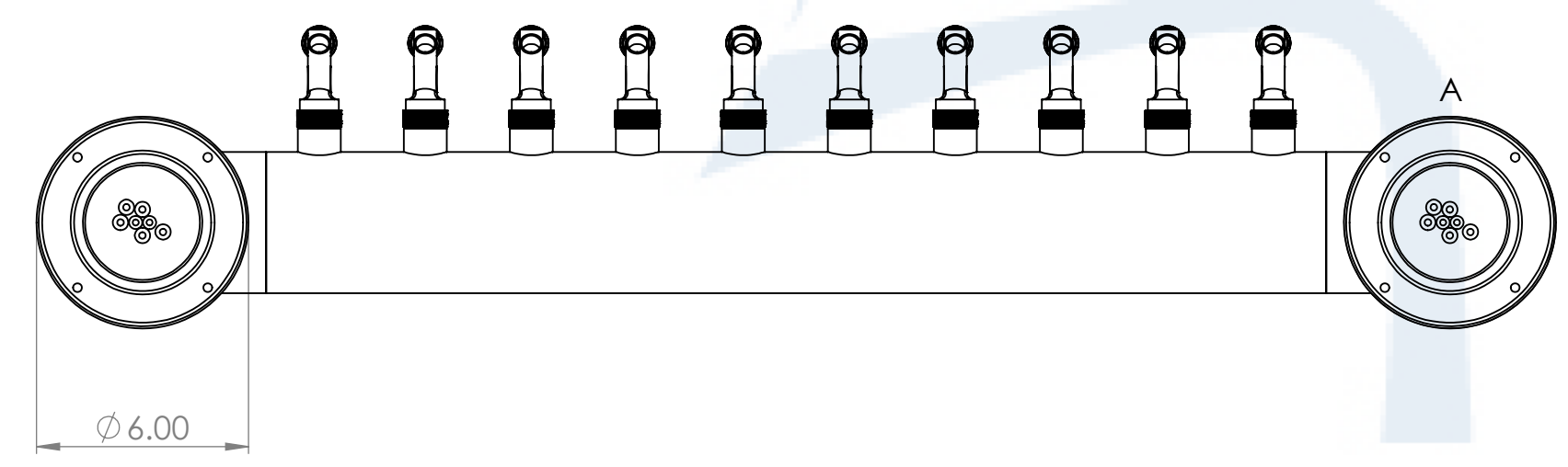


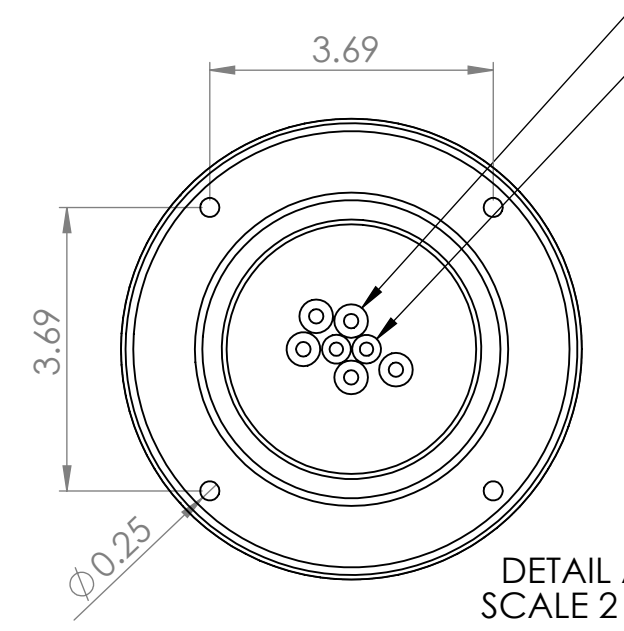
Isometric View  
(For reference purpose only)



304SS tube connected to CBS NSF Flexible  
Total Barrier Tubing to 15lbs of Restriction



10 beer lines: 3/16" ID x 7/16" OD  
2 recirculation lines: 3/8" OD ACR copper



Suggested Drip Tray:  
BB701330 - 30" x 7" BSS Drip Tray  
BB702430 - 30" x 7" BSS Spray Drip Tray



Name		Date		Title:	
Drawn by:	Canadian Beverage Supply Inc.	07/02/2020		10T Pass Thru Tower	
Approved by:	VP Sales			Part Number: BB102479-10CK	
Material:	304 SS	Finish:	Brushed SS	Revision:	
Unless otherwise mentioned, dimensions are inches				SCALE:	1:5
				SHEET 1 OF 1	